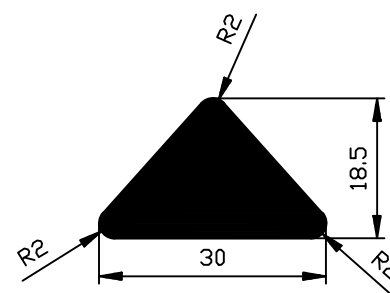


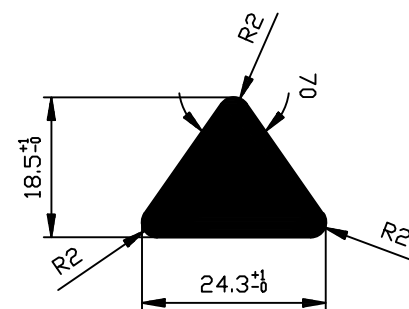
SM-1076

EPDM 70



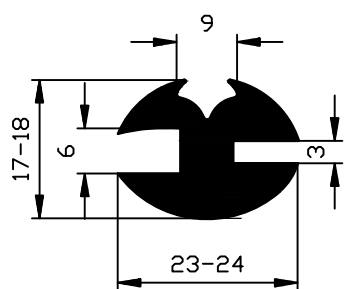
SM-1079

EPDM 70



SM-1081

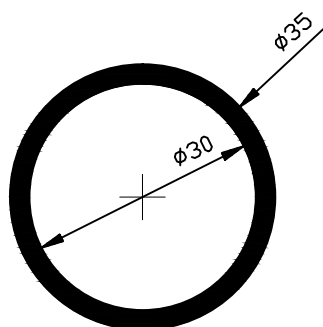
NBR 70



× k profilu klínek SM-119

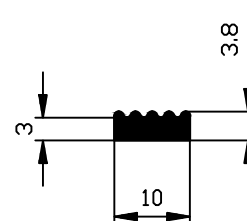
SM-1082

NBR 70



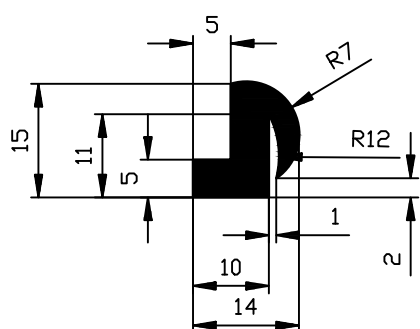
SM-1083

EPDM 70



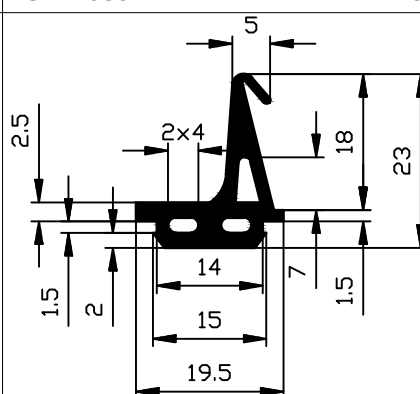
SM-1084

EPDM 70



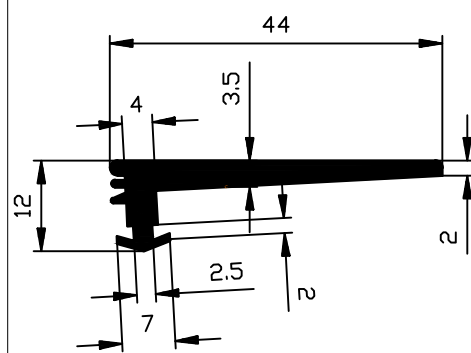
SM-1085

EPDM 70



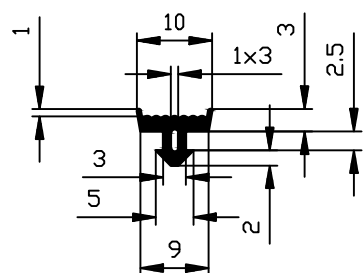
SM-1086

EPDM 70



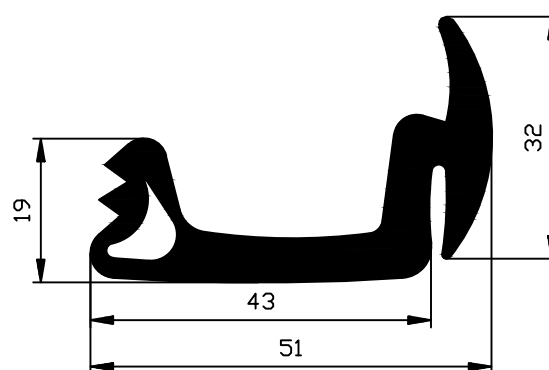
SM-1087

EPDM 60



SM-1088

EPDM 70



SM-1089

EPDM 70